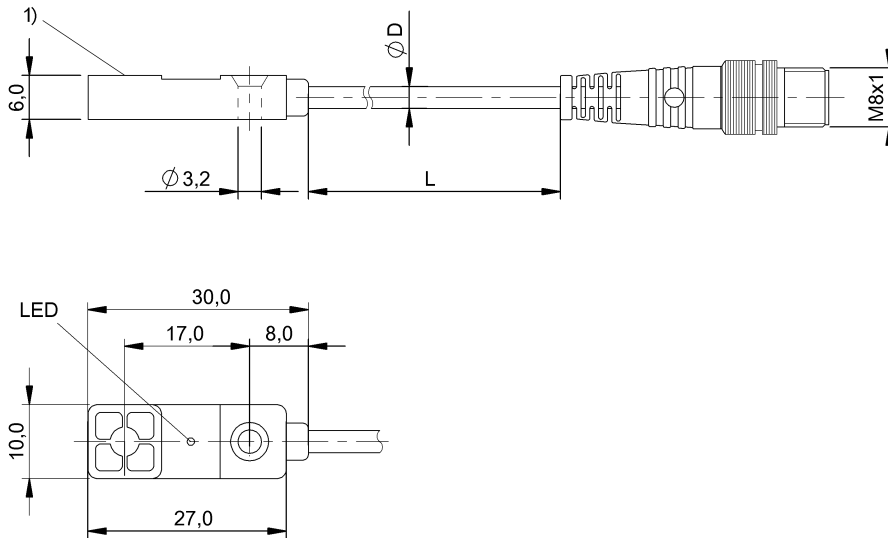


Inductive Sensors
BAW R03KC-UAE40B-BP00,3-GS49
Order Code: BAW0031

BALLUFF



Basic features

Approval/Conformity	CE UKCA cULus WEEE
Basic standard	IEC 60947-5-2 IEC 60947-5-7

Display/Operation

Function indicator	Adjustment indicator
Power indicator	no

Electrical connection

Cable diameter D	3.00 mm
Cable length L	0.3 m
Connection	M8x1-Male, 3-pin
Connection type	Cable with connector, 0.30 m, PUR
Polarity reversal protected	no
Protection against device mix-ups	no
Short-circuit protection	no

Electrical data

Limit frequency -3 dB	1000 Hz
Load resistance R_L min.	5000 Ohm
No-load current I_0 max. at U_e	15 mA
Operating voltage U_b	21.6...26.4 VDC
Rated insulation voltage U_i	75 V DC
Rated operating voltage U_e DC	24 V
Ripple max. (% of U_e)	10 %
Slope U	3.30 V/mm

Environmental conditions

Ambient temperature	0...70 °C
Contamination scale	3
EN 60068-2-27, Shock	Half-sinus, 30 g _n , 11 ms
EN 60068-2-6, Vibration	55 Hz, amplitude 1 mm, 3x30 min
IP rating	IP67

Functional safety

MTTF (40 °C)	640 a
--------------	-------

Interface

Analog output	Analog, voltage 0...10 V
Output characteristic	falling on approach
Output voltage at SI max.	10 V
Output voltage at SI min.	0 V
Output voltage at Se	5 V

Material

Housing material	PA 6, GF30
Material jacket	PUR
Material sensing surface	PA 6, GF30

Mechanical data

Dimension	30 x 10 x 6 mm
Installation	for flush mounting
Tightening torque	0.6 Nm

Inductive Sensors
BAW R03KC-UAE40B-BP00,3-GS49
Order Code: BAW0031

BALLUFF

Range/Distance

Linearity range SI	1...4 mm
Measuring range	1...4 mm

Non-linearity max.	±150 µm
Repeat accuracy per BWN	±35 µm
Temperature drift max. from end value	±5.0 %

Remarks

Values referenced to axial approach of St 37 target. For other materials correction factors are applied.

Flush mounting only in St37. For installation in other materials see 845223.

Technical data are valid after warmup time > 10 minutes

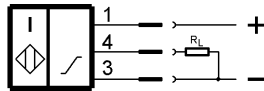
For more information about MTTF and B10d see MTTF / B10d Certificate

Indication of the MTTF- / B10d value does not represent a binding composition and/or life expectancy assurance; these are simply experiential values with no warranty implications. These declared values also do not extend the expiration period for defect claims or affect it in any way.

Connector Drawings



Wiring Diagrams



Technical Drawings

